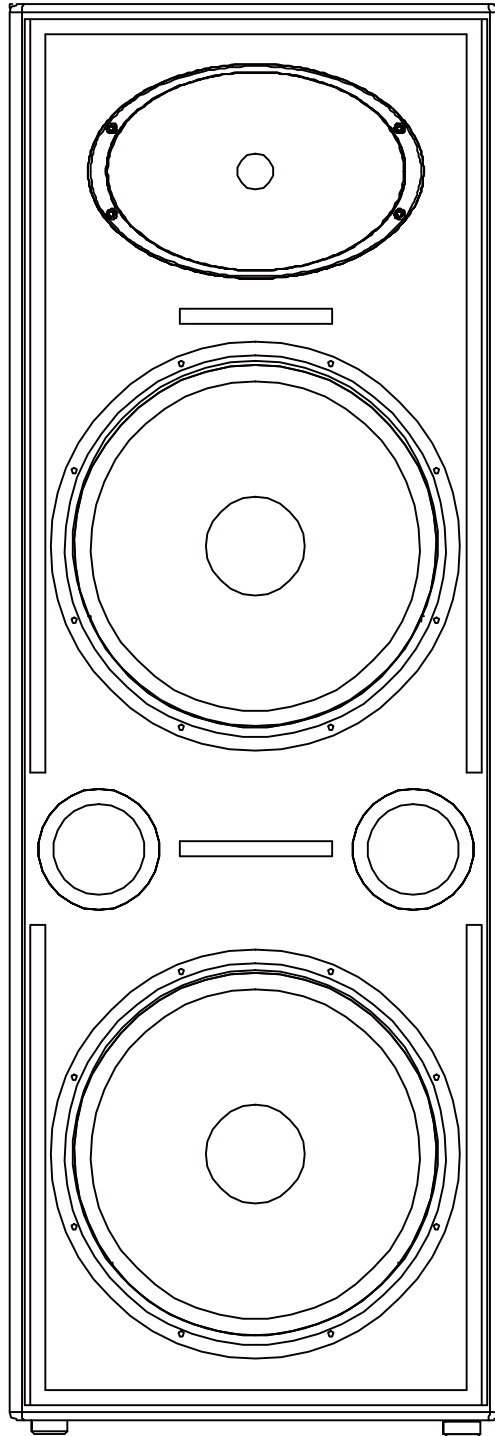


DELTA X215L



USER MANUAL



WWW.WHARFEDALEPRO.COM

CONTENTS

- WARNINGS 1
- REFINEMENT IN DETAIL / PRODUCT FEATURES / INSTALLATION 2
- DELTA X BI-AMP WIRING 3
- DIMENSIONAL DRAWING 4
- SPECIFICATIONS 5

IMPORTANT WARNINGS & SAFETY INSTRUCTIONS

- Read these instructions
- Follow these instructions
- Keep these instructions for future reference
- Heed all warnings
- Do not use this system near moisture or water
- Clean only with a dry cloth
- Install in accordance with these Wharfedale Pro operating instructions
- Follow the manufacturer's operating instructions for all peripheral devices such as amplifiers and processors
- Do not install near heat sources such as radiators, heat registers, stoves or any other apparatus that produces heat (for example lighting systems and amplifiers)
- Use only accessories specified or supplied by Wharfedale Pro
- Do not use shielded microphone/instrument cables to connect amplifiers and speakers, use only approved speaker cables with proper connectors
- Use caution with placement and operation of this speaker system, permanent hearing damage can be caused by prolonged exposure to excessive sound pressure levels
- Refer all servicing to qualified professionals. Servicing is required when the loudspeaker has been damaged in any way, such as impact damage, liquid ingress or foreign object damage. In addition the loudspeaker should be referred to qualified service personnel if there is any kind of malfunction.



- Rigging, suspending and mounting should only be attempted by experience qualified professionals. Incorrect usage can result in damage to equipment and property, injury and even death. Under no circumstances should you attempt to rig, suspend or mount these speakers unless you are fully qualified and certified to do so by relevant local, state and national authorities. If you are not properly qualified or do not know of pertinent regulations consult qualified personnel for advice. Consult a structural engineer before suspending a speaker system and ensure that the total weight of your system can be held by the truss or mounting surface.



- Inspect all mounting hardware before rigging, suspending or mounting. If there is any damage or distortion to any mounting hardware do not proceed until any damaged hardware is repaired or replaced.

REFINEMENT IN DETAIL

Constructed from 15 mm plywood and covered in the highest quality Rhino Rock paint, the new Delta X215L is instantly recognisable by its engraved iconic Wharfedale Pro 'boomerang' logo on its cabinets. The fresh cosmetic design however is not the only improvement the engineering team have made.

Internally Delta X215L has a new crossover design and construction from previous models of Delta. Using new component positioning and bracing, the sensitive crossover electronics have been re-engineered to improve long term performance and reliability – even at the highest of volumes.

With rear panel switching, Delta X215L can operate in either Bi-Amp or Full range 'PASSIVE' modes. This routing flexibility allows for Delta X systems to be refined using multiple amplifiers and external crossovers.

Custom Wharfedale Pro transducers have also been selected. High output, low physical distortion cast frame woofers deliver unparalleled low frequency response. A 2" titanium compression driver is coupled to 90°x45° elliptical waveguide for impressive output level and smooth HF dispersion.

PRODUCT FEATURES

- Robust crossover design
- Plywood construction with internal bracing
- Externally switchable full range/bi-amp mode
- 4-way high impact plastic carry handles
- High power, low distortion cast frame woofers
- 1000 w Continuous
- 2000 w Programme
- 4000 w Peak

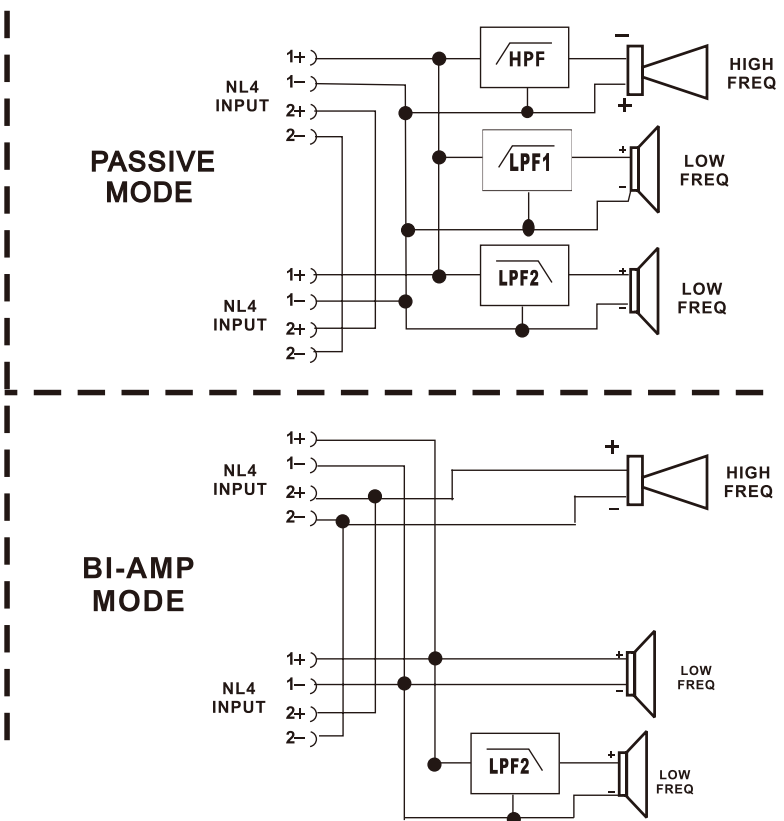
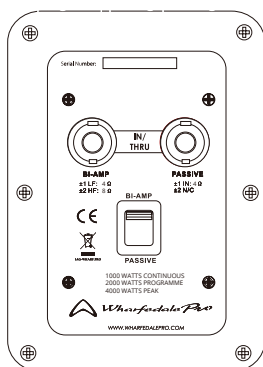
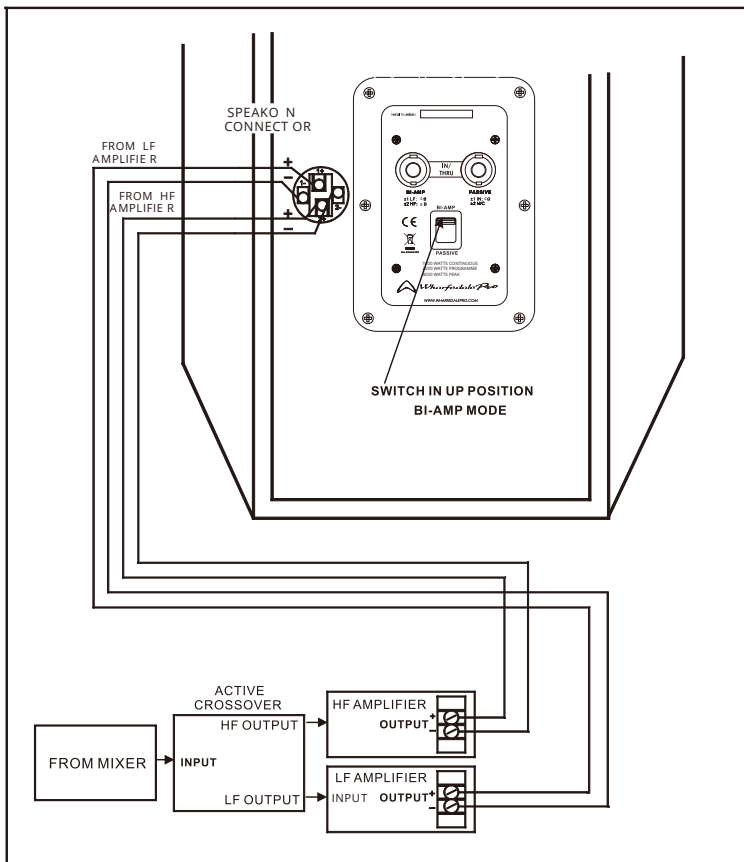
INSTALLATION

• Before attempting to install a Delta Series loudspeaker system please refer to the important warnings and safety instructions. Only qualified personnel should install a loudspeaker system.

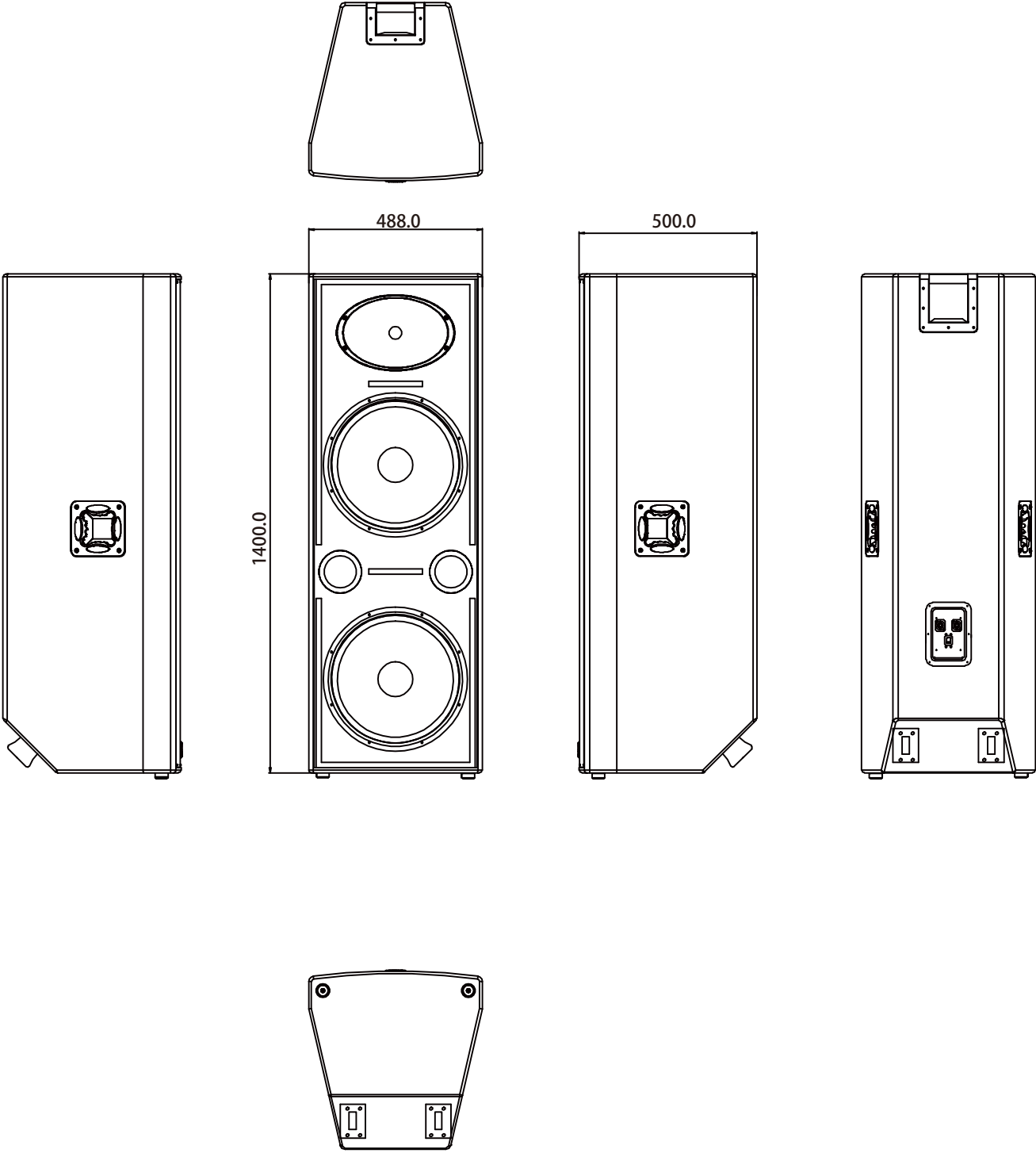
Improper installation of a loudspeaker system can cause serious harm and even death if correct procedure is not followed. Anyone attempting installation assumes all liability arising from such use.

• Bi-amp switching - ensure that the internal passive network selector is in the correct position. When using an external active network select the bi-amp setting. Failure to do this can result in damage to the drivers of your Delta Series loudspeakers.

DELTA X215L Bi-AMP WIRING



DIMENSIONAL DRAWING



SPECIFICATIONS

Model Name	DELTA X215L
System Type	Passive
Configuration	Quasi Three-way
Frequency Response (+/-3 dB)	40 Hz-20 KHz
Frequency Range (-10 dB)	35 Hz-20 KHz
Sensitivity (2.83 v / 1 m)	101 dB
Calculated Maximum SPL @1 m	137 dB
System Rated Impedance	4 Ω
Low Frequency Transducer	
Size	2 x 404 mm / 15"
Voice Coil Size	77.1 mm / 3"
Rated Impedance	2 x 8 Ω
LF Power (re:AES2-2012)	2 x 500 W
High Frequency Transducer	
HF Driver Type	Compression Driver
Voice Coil Size	50.8 mm / 2"
Exit Size	35.6 mm / 1.4"
Diaphragm Material	Titanium
Rated Impedance	8 Ω
HF Power (re:AES2-2012)	50 W
Nominal Coverage (H x V)	90° x 45°
Power	
System Continuous Power	1000 W
System Programme Power	2000 W
System Peak Power	4000 W
Crossover frequency	1.8 kHz
Input Connector	2 x NL4 (speakON Compatible)
Hardware	
Pole Mount	
Handles	2 on Sides / 1 on Back
Enclosure	
Enclosure Material	15 mm Plywood
Finish	black paint
Grille Material & Finish	1.5 mm Steel Black
Dimensions - Unpacked	
Height	1400 mm / 55.1"
Width Front	488 mm / 19.2"
Width Rear	306.4 mm / 12.6"
Depth	500 mm / 19.7"
Dimensions - Packed	
Height	1487 mm / 58.5"
Width Front	623 mm / 24.5"
Width Rear	364 mm / 14.3"
Depth	582 mm / 22.9"
Weight	
Net Weight (kg / lbs)	60.9 kg / 133.98 lbs
Gross Weight (kg / lbs)	67 kg / 147.4 lbs

WHARFEDALE PRO LIMITED WARRANTY

Wharfedale Pro products are warranted of manufacturing or material defects for a period of one year from the original date of purchase. In the event of malfunction, contact your authorised Wharfedale Pro dealer or distributor for information.

Please be aware that the warranty details may differ from country to country. Contact your dealer or distributor for information (available at www.wharfedalepro.com). These terms do not infringe your statutory rights.



Wharfedale Professional
IAG House 13/14 Glebe Road Huntingdon Cambridgeshire PE29 7DL UK
www.wharfedalepro.com

Wharfedale Professional reserves the right to alter or improve specifications without notice.
All rights reserved © 2021 Wharfedale Pro. Wharfedale Pro is a member of the IAG Group.